

The DRIMASTEReco Range

The DRIMASTER-ECO range provides whole home ventilation using the Positive Input Ventilation principle, which introduces fresh filtered air into the dwelling at a continuous rate, encouraging movement of air from inside to outside. To achieve this the unit is mounted in the loft space, drawing air through the filters and inputting it, at ceiling level, into the property.

The DRIMASTER-ECO units are fitted with an internal temperature sensor, which continuously monitors the temperature in the loft and boosts the air volume when the loft temperature is above a set level (heat recovery mode). If the loft temperature becomes excessive, the unit will switch to standby mode (no airflow). Once installed, the airflow can be set to suit the house size and if required, the way it responds to the temperature changes within.



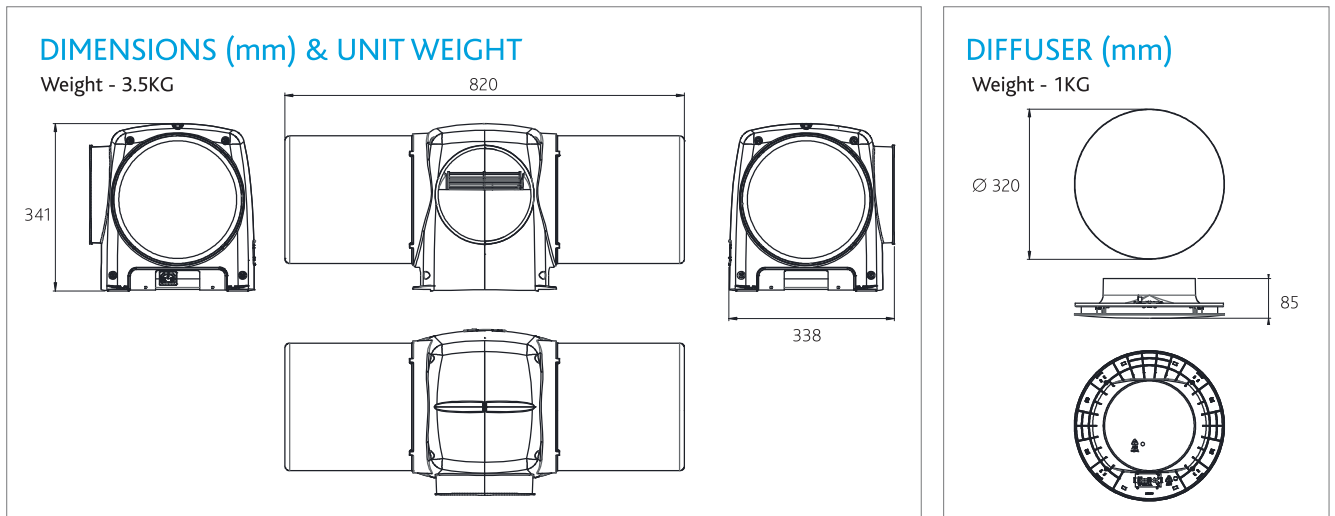
DRI-ECO-HC

The DRI-ECO-HC enhances Nuaire's PIV technology with the added benefit of having the system controls located in the contemporary ceiling diffuser. This unique feature offers the homeowner complete control of the unit, without having to enter the loft space. Not only can settings be altered with the push of a button on the contemporary diffuser, but there is also a 7 segment display which notifies the user of the need for filter change and what setting the DRIMASTER-ECO is running on.



DRI-ECO-HC INSTALLATION

Technical



Wiring

The unit is supplied with a pre-wired power supply. This power supply unit has a metal bracket incorporating fixing holes, which should be used to fit the power supply to a suitable surface e.g. a wooden joist. The fan unit is also supplied with a fused spur.

The 2 core mains cable from the power supply should be connected to a fixed wiring installation in accordance with current IEE wiring regulations.

Electrical Details

	Voltage	Consumption
DRI-ECO-HC	230V 1ph 50Hz	1.6W(min) 17W(max)

Typical Installation

